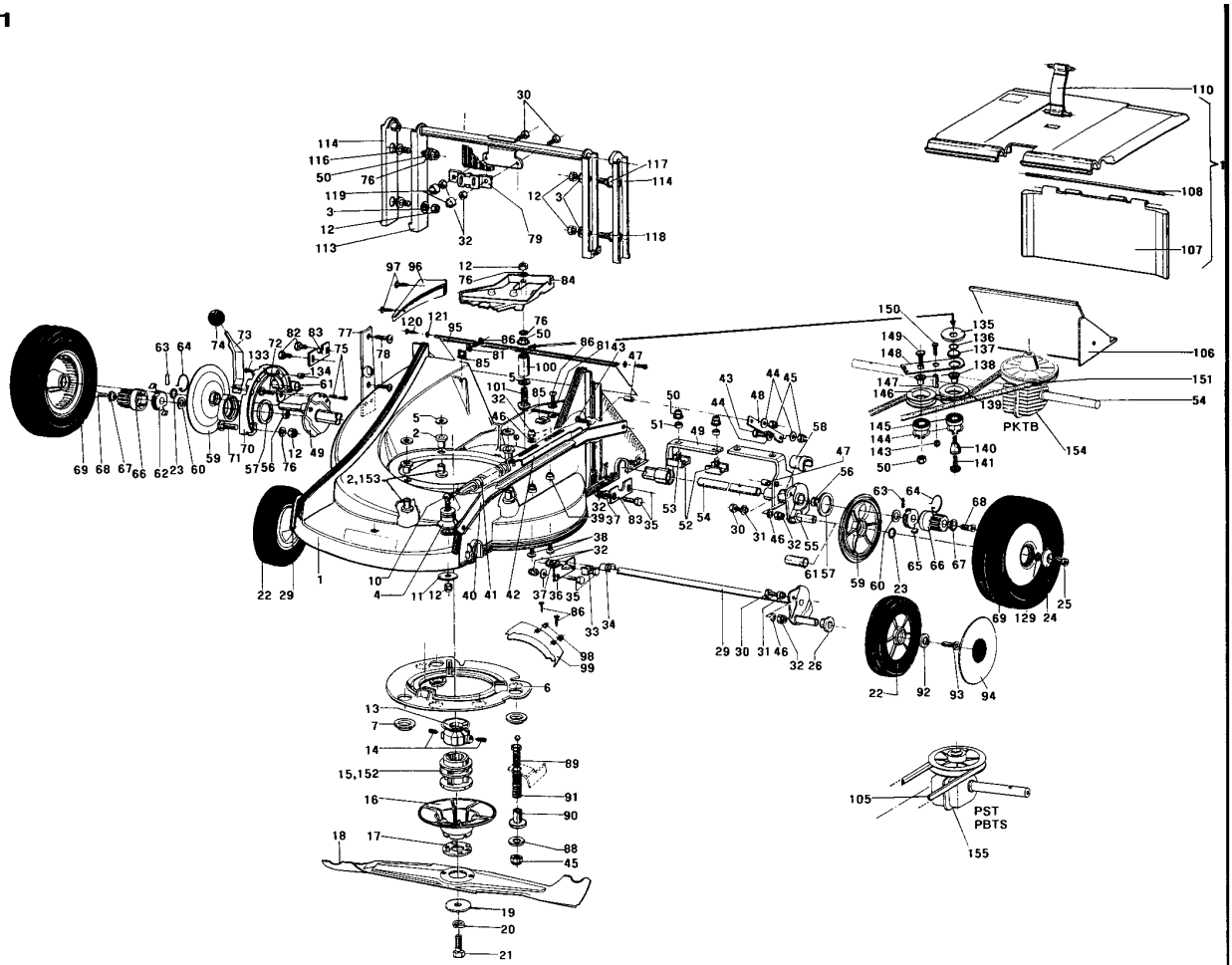


190.01

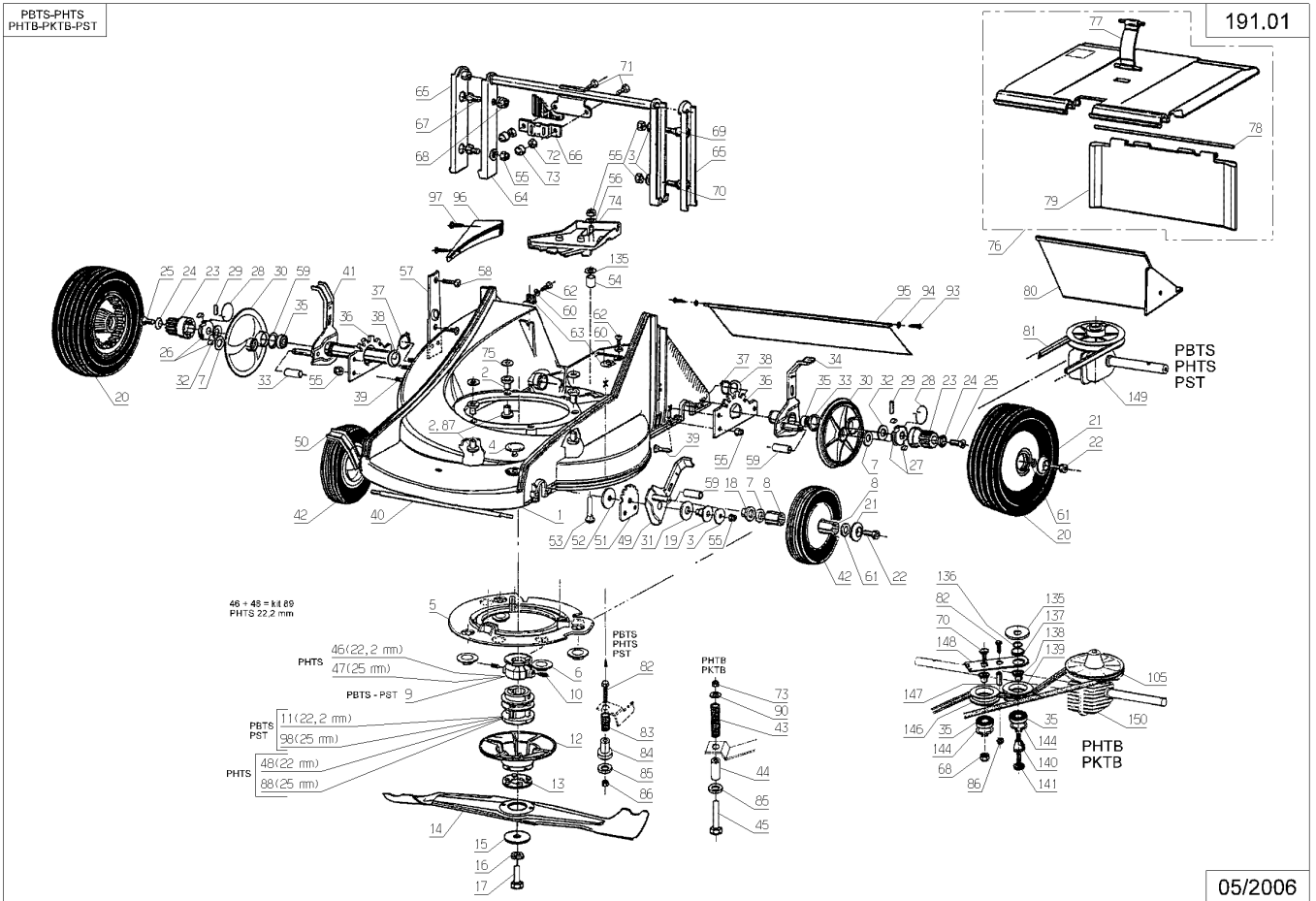


Number	Part Number	Name	Quantity
1	23810	46 CUT.DECK NM	1,000
2	23604	INSULATION MUFF	1,000
3	7035	FLAT WASHER	1,000
4	23623	SPRING SHAFT	1,000
5	22065	WASHER 25X8,5X3	1,000
6	24617	THERMAL PROTECTION	1,000
7	24005	ENGINE WASHER	1,000
10	20520	BOLT 8X45	1,000
11	20021	WASHER 8,5X40X4	1,000
12	71074	NUT HM8	1,000
13	23609	PULLEY DIA.46 NG46	1,000
14	5353	SCREW	1,000
15	24616	THERMAL COUPL.22,2	1,000
16	24618	COUPLING DISK	1,000
17	23002	SHEAR WASHER	1,000
18	PZ46E	BLADES FOR PRO 46CM	1,000
19	7341	FLAT WASHER 10,3X49	1,000
20	71052	SPRING WASHER,DIN 1	1,000
21	7342	BOLT 3/8 - 24	1,000
22	23271	WHEEL ASSY 180GREEN	1,000
23	9034	NYLON WASHER	1,000
24	24087	PROTECTION WASHER	1,000
25	71072	BOLT CHC M6X10	1,000
26	20537	WHEEL RING	1,000
29	23324	CUTTING HEIGHT 46	1,000
30	71084	BOLT HM6X16 DIN 933	1,000
31	23056	KNUCKLE SHAFT	1,000
32	71201	NUT M6	1,000
33	24634	DAMPING ELEMENT	1,000
34	20539	FRONT RING	1,000
35	20507	BOLT HM 6X20	1,000
36	24024	BASE SHEET FRONT	1,000
37	2235	WASHER A6.4	1,000
38	71080	SCREW 6X30	1,000
39	23033	GUIDE RING	1,000
40	23024	LINKING ROD FR.REAR	1,000
41	24632	46CUT.HEIGHT SPRING	1,000
42	23028	LINKING ROD	1,000
43	71025	SCREW HM5X18	1,000
44	20564	WASHER 5,5	1,000
45	37561	NUT	1,000

Number	Part Number	Name	Quantity
46	71096	WASHER B6,4	1,000
47	23029	KNUCKLE RING	1,000
48	23027	ROD 46	1,000
49	23335	HEIGHT REAR RIGHT	1,000
50	71076	NUT VERBUS HM8	1,000
51	24083	CORNER RING	1,000
52	24022	CLAMPING BOW	1,000
53	71122	SCREW 8X20	1,000
54	23032	SLOW SHAFT NG 46	1,000
55	24274	CUT.HEIGHT REAR L51	1,000
56	9022	BALL BEARING 6002	1,000
57	24692	SEALING WASHER	1,000
58	24633	GUIDE RING	1,000
59	43187	REAR WHEEL COVER TR	1,000
60	71016	WASHER 16X22X1	1,000
61	5019	GUIDE RING	1,000
62	5733	FREE WHEEL RIGHT	1,000
63	21609	PIN 5X22	1,000
64	5329	CLICK SPRING	1,000
65	5734	FREE WHEEL LEFT	1,000
66	5323	GEAR	1,000
67	24067	WASHER	1,000
68	71021	SCREW FHC/90 M6X12	1,000
69	23275	REAR WHEEL KIT TR.	1,000
70	23811	INDEXED DISK 46	1,000
71	71118	SCREW 8X35	1,000
72	71070	SCREW 8X30	1,000
73	24439	LEVER + SCREW	1,000
74	21177	BALL M8	1,000
75	20548	NAIL RIVET 6X15	1,000
76	7335	WASHER	1,000
77	23605	BLACK COVER	1,000
78	71048	BOLT EJ.PT KA40X10	1,000
79	23041	RING	1,000
81	7094	FLAT WASHER	1,000
82	20693	HEX.SCREW HM6X25	1,000
83	24038	REAR SHEET	1,000
84	23812	BELT COVER 46 WHITE	1,000
85	6178	CLIP NUT	1,000
86	21437	SCREW	1,000
88	22029	FLAT WASHER 6,5	1,000

Number	Part Number	Name	Quantity
89	71135	SCREW 5X25	1,000
90	23075	SPRING SUPPORT	1,000
91	24647	SPRING	1,000
92	24132	SHAFT WASHER	1,000
93	71222	SCREW FHC/90 6X12	1,000
94	24922	WHEEL FLASK 180 GR.	1,000
95	23626	DECK FLAP 46	1,000
96	24602	BASE PLATE BLACK	1,000
97	71206	BOLT EJ.PT KA50X16	1,000
98	21436	CLIPS NUT	1,000
99	23724	LOW COVER 46	1,000
100	23004	SPACER BELT COVER	1,000
101	22031	SCREW 8X55	1,000
105	23631	BELT SPZ 837 MM	1,000
106	23712	WHITE INTERFACE 46	1,000
107	23607	DEFLECTOR QUARD 46	1,000
108	23005	ROD	1,000
110	23614	STRAP NG46 + ROD	1,000
113	23303	TUBE + RAIL ASSY	1,000
114	23612	INSULATION	1,000
116	9071	SCREW M8X20	1,000
117	5041	BOLT 8X30	1,000
118	5347	SCREW 8X25	1,000
119	24628	PROTECTING CAP HM6	1,000
120	6187	SCREW	1,000
133	71054	EJOT SCR.PT K50X22	1,000
134	23072	BASE RING NG 46	1,000
135	24058	SUPPORT VARIATOR	1,000
136	24085	SPACER PIVOT	1,000
137	24046	VARIATOR PIVOT	1,000
138	24836	RING	1,000
139	23632	PULLEY	1,000
140	24048	VARIATOR SPACER	1,000
144	21256	CIRCLIP	1,000
146	24659	GROOVE PULLEY	1,000
147	24846	SPACER 15X8X5,2	1,000
148	24045	PLATE SUPPORT	1,000
151	23633	BELT 10X5/855LI	1,000
152	23616	COUPLING 25 MM	1,000
153	23722	INSULATION MUFF	1,000
154	23278	DISC.GEARBOX 46 VAR	1,000

Number	Part Number	Name	Quantity
155	23279	DISC.GEARBOX46 ST	1,000



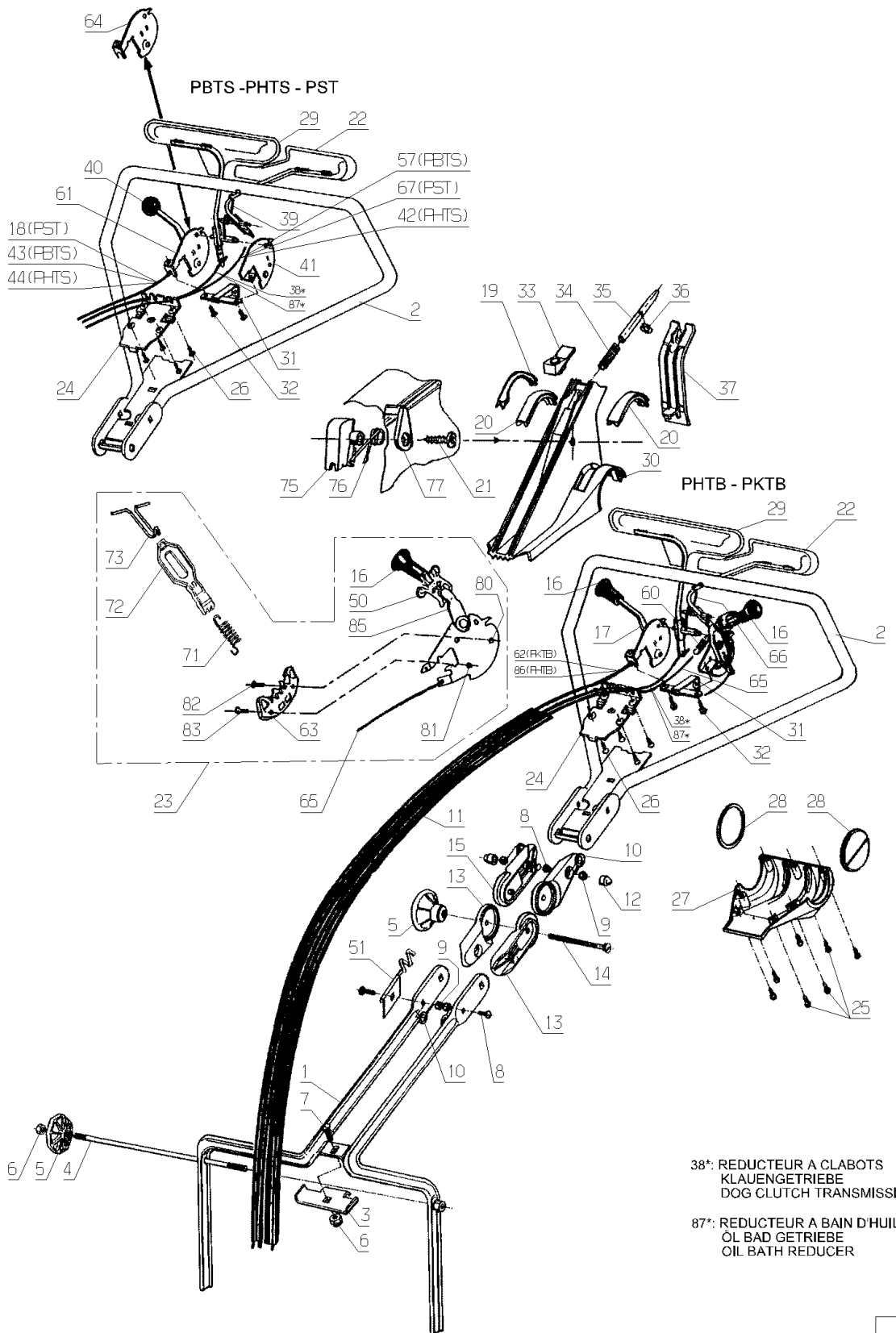
Number	Part Number	Name	Quantity
1	23810	46 CUT.DECK NM	1,000
2	23604	INSULATION MUFF	1,000
3	7035	FLAT WASHER	1,000
4	23615	CAP	1,000
5	24617	THERMAL PROTECTION	1,000
6	24005	ENGINE WASHER	1,000
7	9034	NYLON WASHER	1,000
8	5015	STUDED BUSH	1,000
9	23609	PULLEY DIA.46 NG46	1,000
10	5353	SCREW	1,000
11	24616	THERMAL COUPL.22,2	1,000
12	24618	COUPLING DISK	1,000
13	23002	SHEAR WASHER	1,000
14	PZ46E	BLADES FOR PRO 46CM	1,000
15	7341	FLAT WASHER 10,3X49	1,000
16	71052	SPRING WASHER,DIN 1	1,000
17	7342	BOLT 3/8 - 24	1,000
18	7046	SLEEVE	1,000
19	7047	SLEEVE	1,000
20	23275	REAR WHEEL KIT TR.	1,000
21	24087	PROTECTION WASHER	1,000
22	71072	BOLT CHC M6X10	1,000
23	5323	GEAR	1,000
24	24067	WASHER	1,000
25	71021	SCREW FHC/90 M6X12	1,000
26	5733	FREE WHEEL RIGHT	1,000
27	5734	FREE WHEEL LEFT	1,000
28	5329	CLICK SPRING	1,000
29	21609	PIN 5X22	1,000
30	43187	REAR WHEEL COVER TR	1,000
31	7330	WASHER	1,000
32	71016	WASHER 16X22X1	1,000
33	24692	SEALING WASHER	1,000
34	23340	CUTT.H.LEFT DISK RE	1,000
35	9022	BALL BEARING 6002	1,000
36	23025	INDEXED PLATE	1,000
37	5016	EXT. TRUARC RING	1,000
38	5067	WASHER BELLEVILLE	1,000
39	71070	SCREW 8X30	1,000
40	23070	FRONT LINKING SHAFT	1,000
41	23339	CUTT.H.RIGHT DISC R	1,000

Number	Part Number	Name	Quantity
42	23271	WHEEL ASSY 180GREEN	1,000
43	24669	ABSORBER SPRING	1,000
44	23062	SPACER DIA 12	1,000
45	71092	SCREW HM6-85,8.8	1,000
46	23730	PULLEY	1,000
47	23729	TAPERLOCK PULLEYD25	1,000
48	23636	COUPLING 22.2	1,000
49	23418	CUT.HEIGHT R+F LEFT	1,000
50	23419	CUT.HEIGHT R+F RIGH	1,000
51	24020	NOTCHED DISK	1,000
52	20021	WASHER 8,5X40X4	1,000
53	22031	SCREW 8X55	1,000
54	23004	SPACER BELT COVER	1,000
55	71074	NUT HM8	1,000
56	7335	WASHER	1,000
57	23605	BLACK COVER	1,000
58	71048	BOLT EJ.PT KA40X10	1,000
59	5019	GUIDE RING	1,000
60	7094	FLAT WASHER	1,000
61	21270	WASHER 6,4	1,000
62	21437	SCREW	1,000
63	6178	CLIP NUT	1,000
64	23303	TUBE + RAIL ASSY	1,000
65	23612	INSULATION	1,000
66	23041	RING	1,000
67	9071	SCREW M8X20	1,000
68	71076	NUT VERBUS HM8	1,000
69	5041	BOLT 8X30	1,000
70	5347	SCREW 8X25	1,000
71	71084	BOLT HM6X16 DIN 933	1,000
72	71201	NUT M6	1,000
73	24628	PROTECTING CAP HM6	1,000
74	23812	BELT COVER 46 WHITE	1,000
75	22065	WASHER 25X8,5X3	1,000
76	23414	DEFLECTOR GREEN CPL	1,000
77	23614	STRAP NG46 + ROD	1,000
78	23005	ROD	1,000
79	23607	DEFLECTOR QUARD 46	1,000
80	23712	WHITE INTERFACE 46	1,000
81	23631	BELT SPZ 837 MM	1,000
82	71135	SCREW 5X25	1,000

Number	Part Number	Name	Quantity
83	24647	SPRING	1,000
84	23075	SPRING SUPPORT	1,000
85	22029	FLAT WASHER 6,5	1,000
86	37561	NUT	1,000
87	23722	INSULATION MUFF	1,000
88	23620	COUPLING D25	1,000
89	23347	TAPERLOCK KIT D22.2	1,000
90	2235	WASHER A6.4	1,000
93	6187	SCREW	1,000
94	20564	WASHER 5,5	1,000
95	23626	DECK FLAP 46	1,000
96	24602	BASE PLATE BLACK	1,000
97	71206	BOLT EJ.PT KA50X16	1,000
98	23616	COUPLING 25 MM	1,000
105	23633	BELT 10X5/855LI	1,000
135	24058	SUPPORT VARIATOR	1,000
136	24085	SPACER PIVOT	1,000
137	24046	VARIATOR PIVOT	1,000
138	24836	RING	1,000
139	23632	PULLEY	1,000
140	24048	VARIATOR SPACER	1,000
144	21256	CIRCLIP	1,000
146	24659	GROOVE PULLEY	1,000
147	24846	SPACER 15X8X5,2	1,000
148	24045	PLATE SUPPORT	1,000
149	23279	DISC.GEARBOX46 ST	1,000
150	23278	DISC.GEARBOX 46 VAR	1,000

PBTS-PHTS
PHTB-PKTB-PST

195.01



38*: REDUCTEUR A CLABOTS
KLAUENGETRIEBE
DOG CLUTCH TRANSMISSION

87*: REDUCTEUR A BAIN D'HUILE
ÖL BAD GETRIEBE
OIL BATH REDUCER

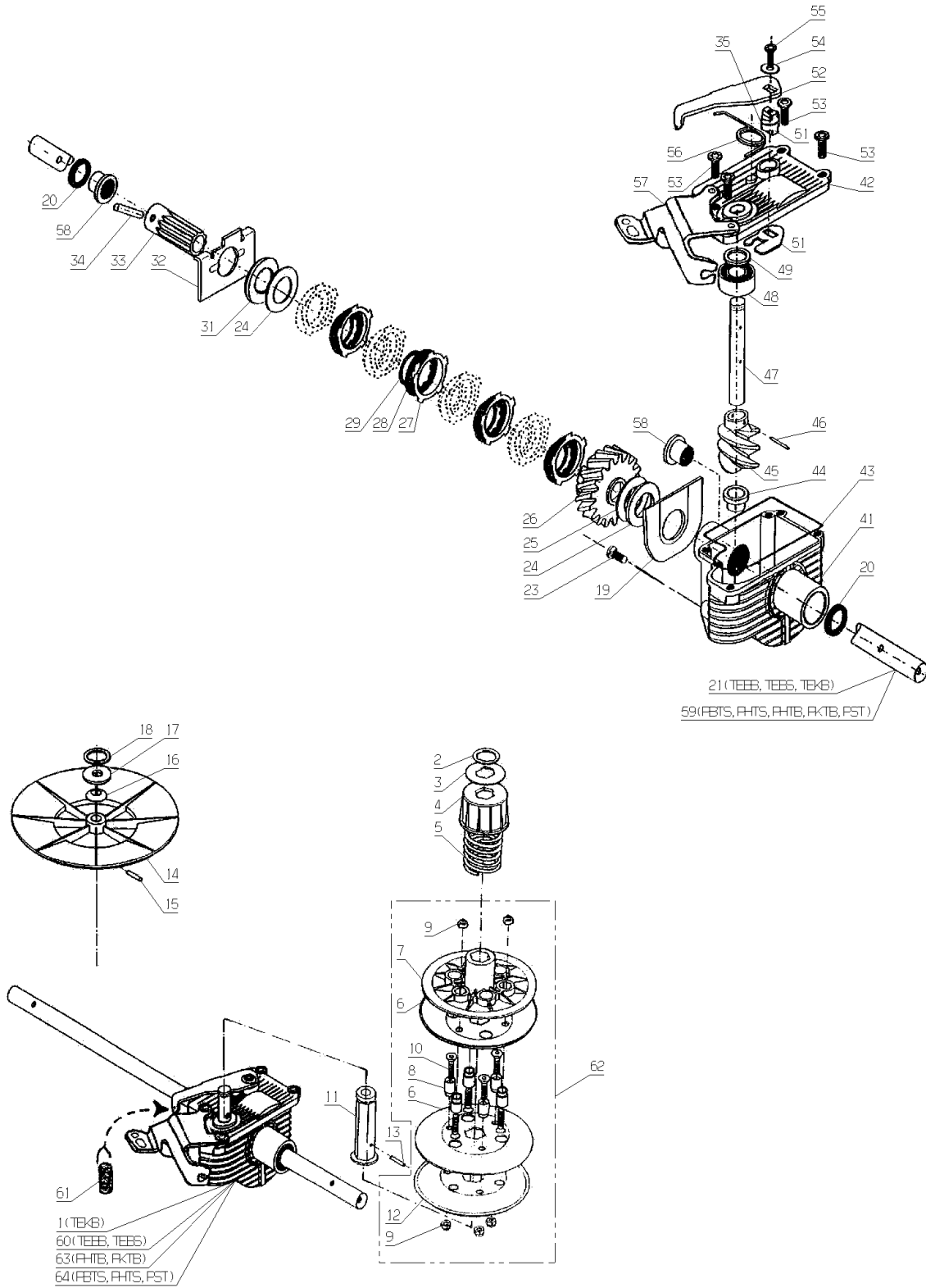
09/2006

Number	Part Number	Name	Quantity
1	23301	LOWER HANDLEBAR	1,000
2	23306	UP. HANDL. ASSY PSE	1,000
3	24014	COLLECTOR HOOK	1,000
4	23014	LOCKING PIN	1,000
5	24610	BUTTON (SMALL)	1,000
6	71074	NUT HM8	1,000
7	2217	BOLT TRCC 8X16	1,000
8	71060	BOLT TRCC 6X25	1,000
9	71201	NUT M6	1,000
10	2235	WASHER A6.4	1,000
11	23653	REMOTE CONTR.SLEEVE	1,000
12	24628	PROTECTING CAP HM6	1,000
13	24614	LOWER LOCKING JOINT	1,000
14	71028	BOLT TRCC 8X110	1,000
15	24629	UPPER LOCKING JOINT	1,000
16	21177	BALL M8	1,000
17	23361	LEVER + SCREWS	1,000
18	23675	THROTTLE CABL+SLEEVE	1,000
19	24683	HALF CAP	1,000
20	24682	COVER	1,000
21	71082	EJOT SCR.PT KA40X12	1,000
22	24433	BLADE EN-/DISENGAGE	1,000
23	24395	ENGINE SPEED MODUL	1,000
24	24050	SLEEVE STOP	1,000
25	71051	BOLT EJ.PT KA40X14	1,000
26	71050	BOLT EJ.PT KA40X14	1,000
27	23651	LOWER HOUSING	1,000
28	23666	CAPSULE	1,000
29	24434	DRIVE EN-/DISENGAGE	1,000
30	23650	CENTRAL HOUSING	1,000
31	24350	LEVER STOP	1,000
33	24690	LOCKING BUTTON	1,000
34	24609	SPRING	1,000
35	24059	BOLT	1,000
36	24684	TRUARC RING	1,000
37	23652	CENTR.HOUSING REAR	1,000
38	23660	DRIVE CABLE+SLEEVE	1,000
39	24778	SPRING	1,000
41	24128	HS MOTOR BRAKE DISK	1,000
42	23703	ENG.-BRAK.TRANS.B&S	1,000
43	23672	THROTTLE CABLE BRIG	1,000

Number	Part Number	Name	Quantity
44	23685	THROTTLECABLE GCV	1,000
50	24700	BUTTON	1,000
51	24670	GUIDE-RECOIL START.	1,000
60	24838	SPRING	1,000
61	24354	THROTTLE - SUZUKI	1,000
62	24672	THROTTLE CABLE PKTB	1,000
63	24701	INDEXED DISK	1,000
64	23053	THROTTLE R.PLATE	1,000
65	23723	BLADE CLUTCH CABLE	1,000
66	24758	LEVER SPRING	1,000
67	23700	MOTOR-BRAKE TRAN.	1,000
71	24703	BACK SPRING	1,000
72	24644	VARIATOR SLIDE	1,000
73	24702	LINKAGE	1,000
75	24845	LOCKING ARM	1,000
76	24843	DOUBLE CTRL.SPRING	1,000
77	24844	LOCKING LEVER	1,000
80	71237	SCREW F H M4-8,4.8	1,000
81	21525	NUT HM4	1,000
83	21524	SCREW M8X35	1,000
87	23681	CABLE+SLEEVE CLUTCH	1,000

VIVA 46/51

180.01



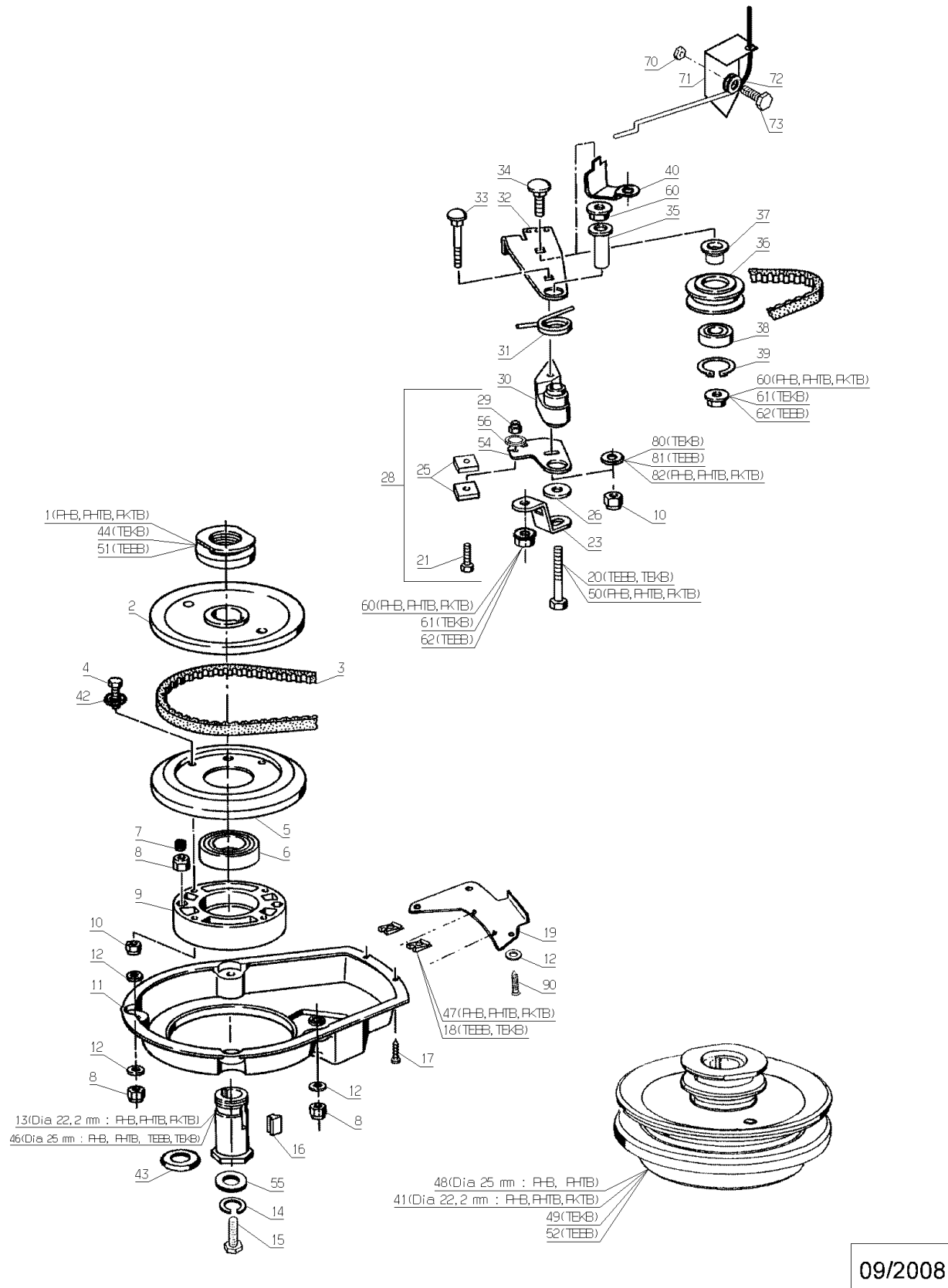
09/2005

Number	Part Number	Name	Quantity
1	42240	OIL BATH VAR. REDUC	1,000
2	71019	CIRCLIP 16X1	1,000
3	24072	WASHER 32X16,5X1	1,000
4	24649	PULLEY STOP	1,000
5	24651	PULLEY SPRING	1,000
6	24044	1/2 PULLEY FLANGE	1,000
7	24665	1/2 PULLEY	1,000
8	24069	GUIDE STUB	1,000
9	37561	NUT	1,000
10	71022	SCREW FHC/90 M5X20	1,000
11	41823	WASHER+AXLE PUL.CPL	1,000
12	24840	1/2 PULLEY	1,000
13	20556	PIN 3X15	1,000
14	22455	REDUCTION GEAR PULL	1,000
15	71088	PIN 3X22	1,000
16	20561	CURLED WASHER A10	1,000
17	21036	FLAT WASHER 10.5	1,000
18	20559	CIRCLIPS 10	1,000
19	41105	CASING REINFORCEMENT	1,000
20	71219	LIP SEAL 15X21X5	1,000
21	24135	SLOW SHAFT NG51 RD	1,000
23	71211	BOLT EJ-PT 50X16	1,000
24	41102	STRIDDED STOP	1,000
25	71216	STOP WASHER	1,000
26	24776	BELL + WHEEL SET	1,000
27	41097	EXT.CLUTCH PLATE	1,000
28	41096	INT.CLUTCH PLATE	1,000
29	71214	WASHER R9	1,000
31	41095	STOP WASHER	1,000
32	41094	FORK RD	1,000
33	41104	CARRIER	1,000
34	21609	PIN 5X22	1,000
35	71220	O-RING 8,9X1,9	1,000
41	41050	-> 41052 + 42095	1,000
42	41051	REDUCT. GEAR COVER	1,000
43	41110	COVER SEAL	1,000
44	20558	RING C/10 15X10	1,000
45	20555	ENDLESS BOLT	1,000
47	41055	QUICK SHAFT N.M	1,000
48	24642	BEARING	1,000
49	71218	LIP SEAL 10X18X4	1,000

Number	Part Number	Name	Quantity
51	41822	PUSH AXLE (SET)	1,000
52	41059	CONTROL ARM	1,000
53	71244	BOLT EJ-PT 50X20	1,000
54	7094	FLAT WASHER	1,000
55	71213	BOLT M4X10	1,000
56	41060	CLUTCH SPRING	1,000
57	42095	BRACKET	1,000
58	41056	SELF LUBRICATE BUSH	1,000
59	23087	SLOW SHAFT 46 RD	1,000
60	24269	OIL BATH RED 1SPEED	1,000
61	24686	SPRING	1,000
62	24275	VARIATOR PULLEY	1,000
63	23278	DISC.GEARBOX 46 VAR	1,000
64	23279	DISC.GEARBOX46 ST	1,000

VIVA 46/51

205.01



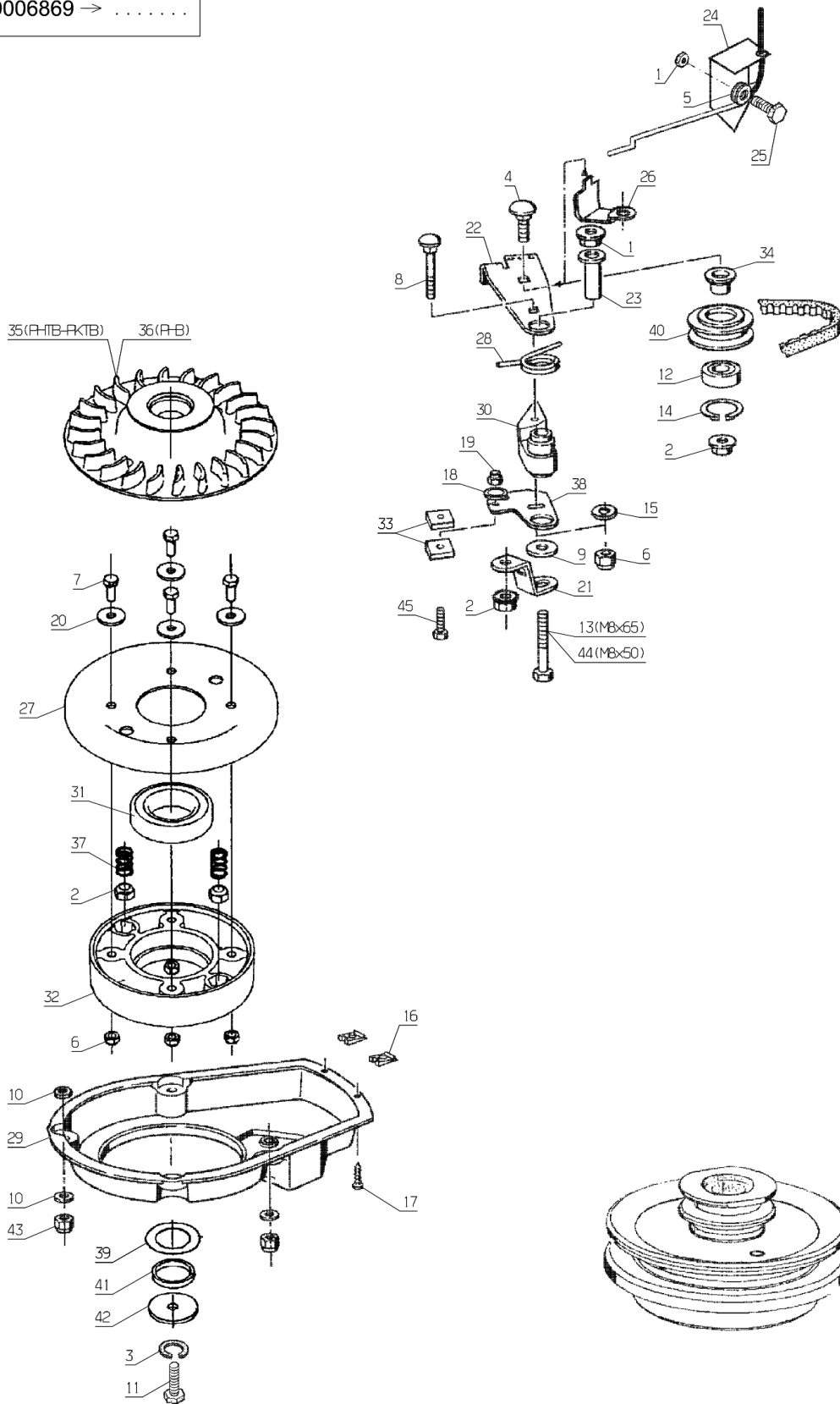
09/2008

Number	Part Number	Name	Quantity
1	23720	PULLEY DIA 44	1,000
2	24831	FLYWHEEL	1,000
3	24825	BELT 13X560	1,000
4	37997	SCREW HM6-16 8.8	1,000
5	24156	1/2 PULLEY	1,000
6	24832	BEARING 6007-2RS1	1,000
7	40173	ADJUST - SPRING.	1,000
8	71205	SCREW M8	1,000
9	24834	BLADE COUPLING	1,000
10	71201	NUT M6	1,000
11	24823	PROTEC. HOUSING	1,000
12	7335	WASHER	1,000
13	24830	THREADED BUSH	1,000
14	71052	SPRING WASHER,DIN 1	1,000
15	7342	BOLT 3/8 - 24	1,000
16	40128	KEY	1,000
17	6187	SCREW	1,000
18	21442	CLIPS	1,000
19	24820	LOWER COVER 51	1,000
20	20633	HEX.SCREW 8X65	1,000
21	71268	FHC SCREW M4X20	1,000
23	24150	RENF. PLATE	1,000
25	24835	BRAKE PAD	1,000
26	7035	FLAT WASHER	1,000
28	24430	BRAKE PAD ASSY	1,000
29	21525	NUT HM4	1,000
30	24824	BEARING	1,000
31	24822	SPRING	1,000
32	24151	CLUTCH PLATE	1,000
33	5608	SCREW 6X35	1,000
34	5347	SCREW 8X25	1,000
35	24152	SLEEVE TUBE	1,000
36	42070	IRON PULLEY DIA.45	1,000
37	24836	RING	1,000
38	9022	BALL BEARING 6002	1,000
39	21256	CIRCLIP	1,000
40	24155	BELT STOP	1,000
41	23429	FLYW.+PULL.44/D22,2	1,000
42	22029	FLAT WASHER 6,5	1,000
43	42068	WASHER D54,5X35X0,5	1,000
44	24829	PULLEY DIA 42	1,000

Number	Part Number	Name	Quantity
46	24833	THREADED BUSH	1,000
47	21436	CLIPS NUT	1,000
48	23439	FLYWHEEL+PUL.44/D25	1,000
49	24436	FLYWHL.+PULL.42/D25	1,000
50	71223	SCREW M8X50	1,000
51	23726	TAPPED PULLEY 45	1,000
52	23431	FLYWHEEL+PUL.45/D25	1,000
54	42051	BRAKE PLATE	1,000
55	7341	FLAT WASHER 10,3X49	1,000
56	21481	WASHER	1,000
61	71076	NUT VERBUS HM8	1,000
70	37561	NUT	1,000
71	24153	SLEEVE STOP	1,000
72	5070	CLUTCH PULLEY	1,000
73	24154	THREADED SHAFT	1,000
80	2235	WASHER A6.4	1,000
82	21270	WASHER 6,4	1,000
90	71097	EJOT SCR.PT A 80X20	1,000

PHB 1629705 →
 PHTB 9006869 →

PL01760



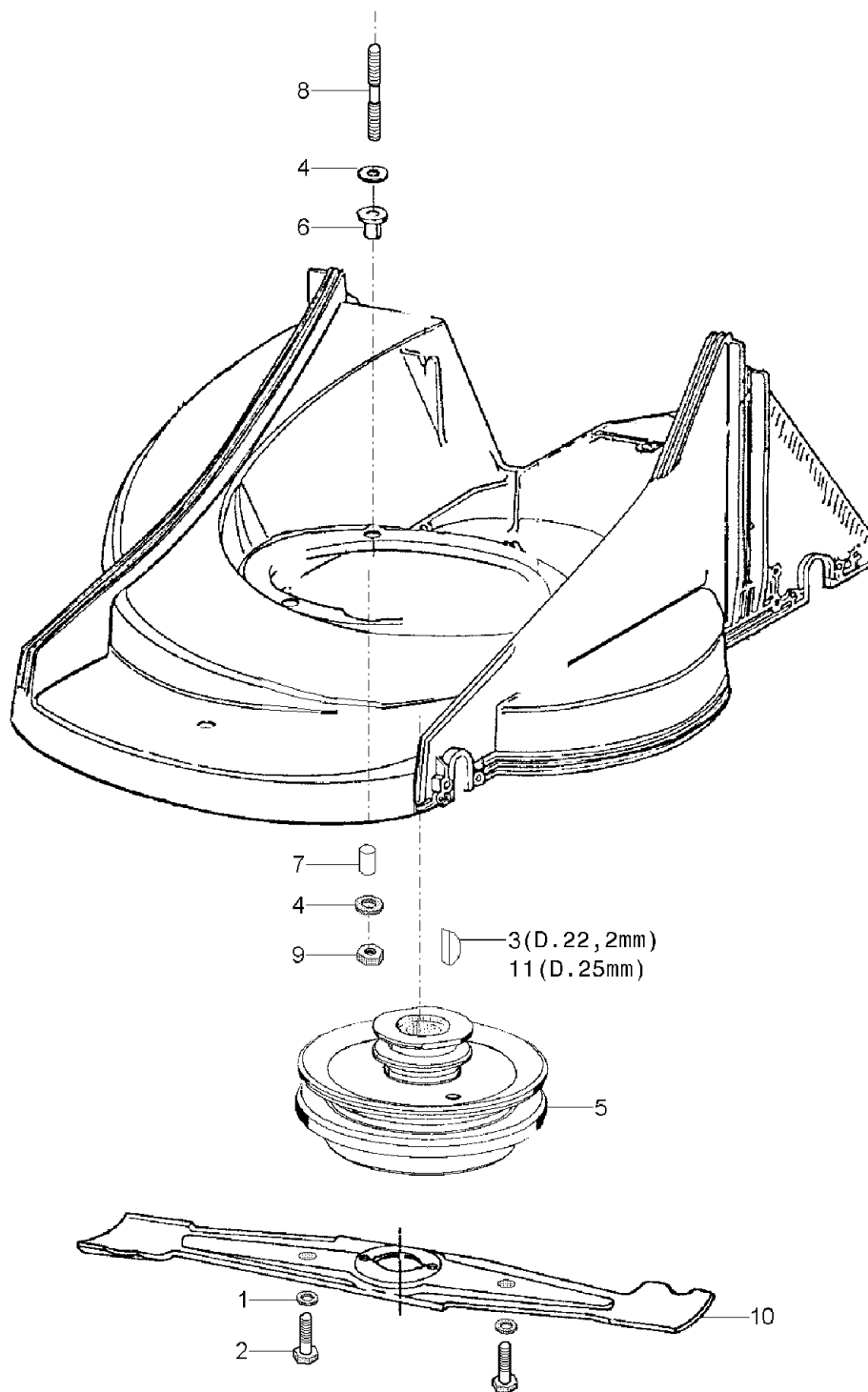
11/2011

Number	Part Number	Name	Quantity
1	37561	NUT	1,000
2	71205	SCREW M8	1,000
3	71052	SPRING WASHER,DIN 1	1,000
4	5041	BOLT 8X30	1,000
5	5070	CLUTCH PULLEY	1,000
6	71201	NUT M6	1,000
7	37997	SCREW HM6-16 8.8	1,000
8	5608	SCREW 6X35	1,000
9	7035	FLAT WASHER	1,000
10	7335	WASHER	1,000
11	7342	BOLT 3/8 - 24	1,000
12	9022	BALL BEARING 6002	1,000
13	20633	HEX.SCREW 8X65	1,000
14	21256	CIRCLIP	1,000
15	21270	WASHER 6,4	1,000
16	21436	CLIPS NUT	1,000
17	21437	SCREW	1,000
18	21481	WASHER	1,000
19	21525	NUT HM4	1,000
20	22029	FLAT WASHER 6,5	1,000
21	24150	RENF. PLATE	1,000
22	24151	CLUTCH PLATE	1,000
23	24152	SLEEVE TUBE	1,000
24	24153	SLEEVE STOP	1,000
25	24154	THREADED SHAFT	1,000
26	24155	BELT STOP	1,000
27	24156	1/2 PULLEY	1,000
28	24822	SPRING	1,000
29	24823	PROTEC. HOUSING	1,000
30	24824	BEARING	1,000
31	24832	BEARING 6007-2RS1	1,000
32	24834	BLADE COUPLING	1,000
33	24835	BRAKE PAD	1,000
34	24836	RING	1,000
35	35709	WHEEL/FLYWHEEL 25	1,000
36	35710	WHEEL / FLYWHEEL	1,000
37	40173	ADJUST - SPRING.	1,000
38	42051	BRAKE PLATE	1,000
39	42068	WASHER D54,5X35X0,5	1,000
40	42070	IRON PULLEY DIA.45	1,000
41	43087	WASHER 42,4X36X6	1,000

Number	Part Number	Name	Quantity
42	43088	WASHER 49X10,5X4	1,000
43	71074	NUT HM8	1,000
44	71223	SCREW M8X50	1,000
45	71268	FHC SCREW M4X20	1,000

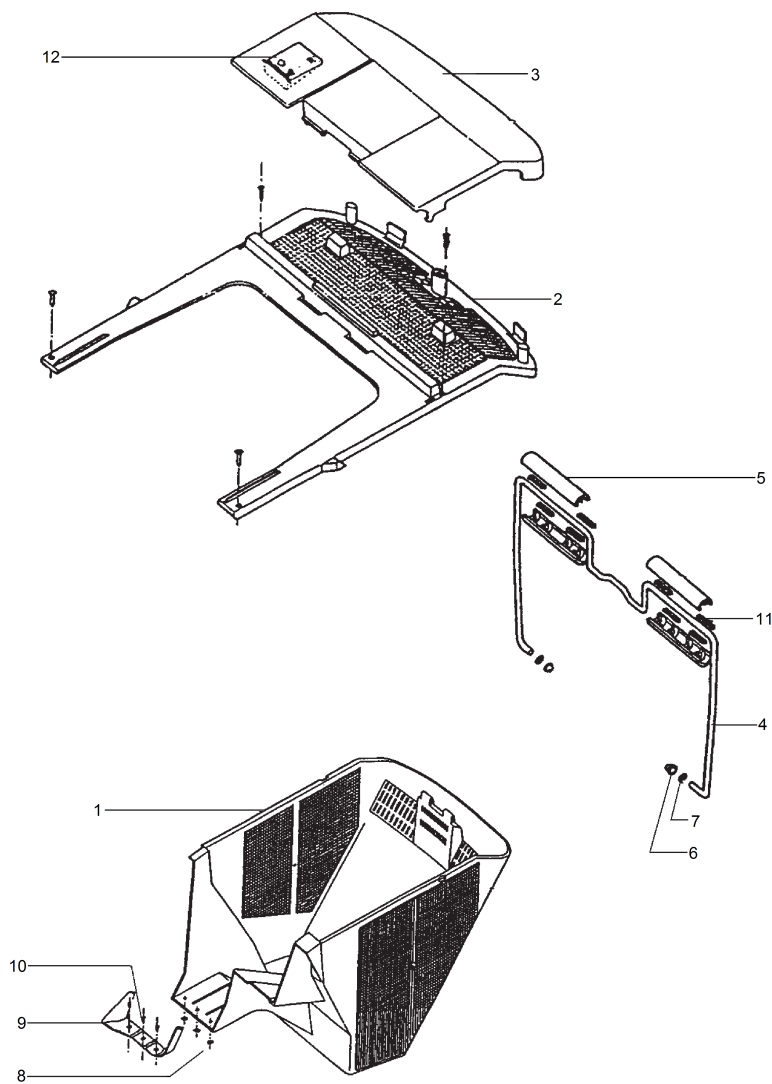
PHB - PHTB
PKTB

PL01132



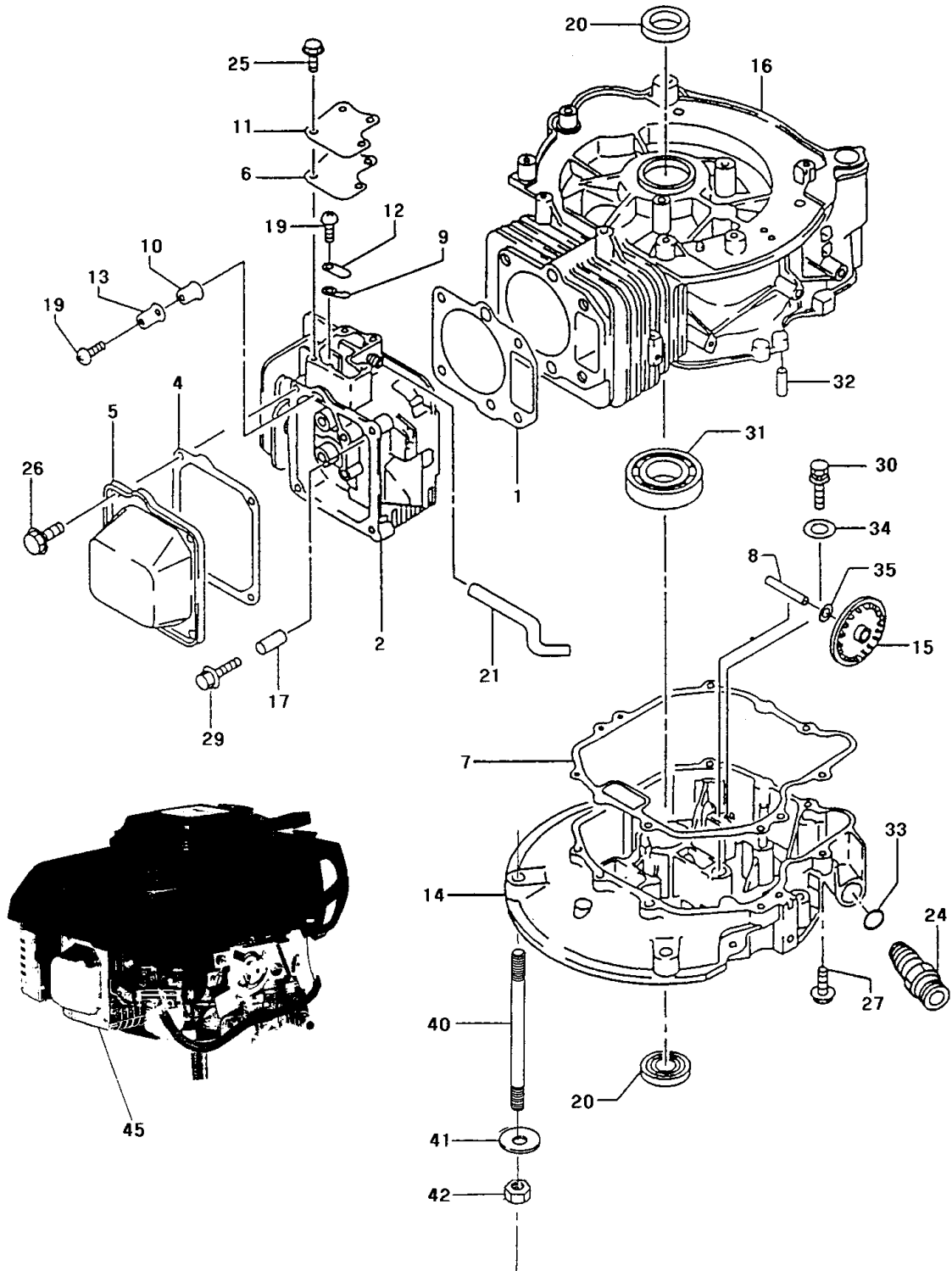
09/2006

Number	Part Number	Name	Quantity
1	71343	SPRING WASHER A8	1,000
2	71413	SCREW HM 8-20	1,000
3	7337	KEY	1,000
4	22065	WASHER 25X8,5X3	1,000
5	23429	FLYW.+PULL.44/D22,2	1,000
6	23604	INSULATION MUFF	1,000
7	23722	INSULATION MUFF	1,000
8	24827	THREADED PIN M10/M8	1,000
9	71074	NUT HM8	1,000
10	PZ46E	BLADES FOR PRO 46CM	1,000
11	71127	KEY 4,8X6,5X15,72	1,000



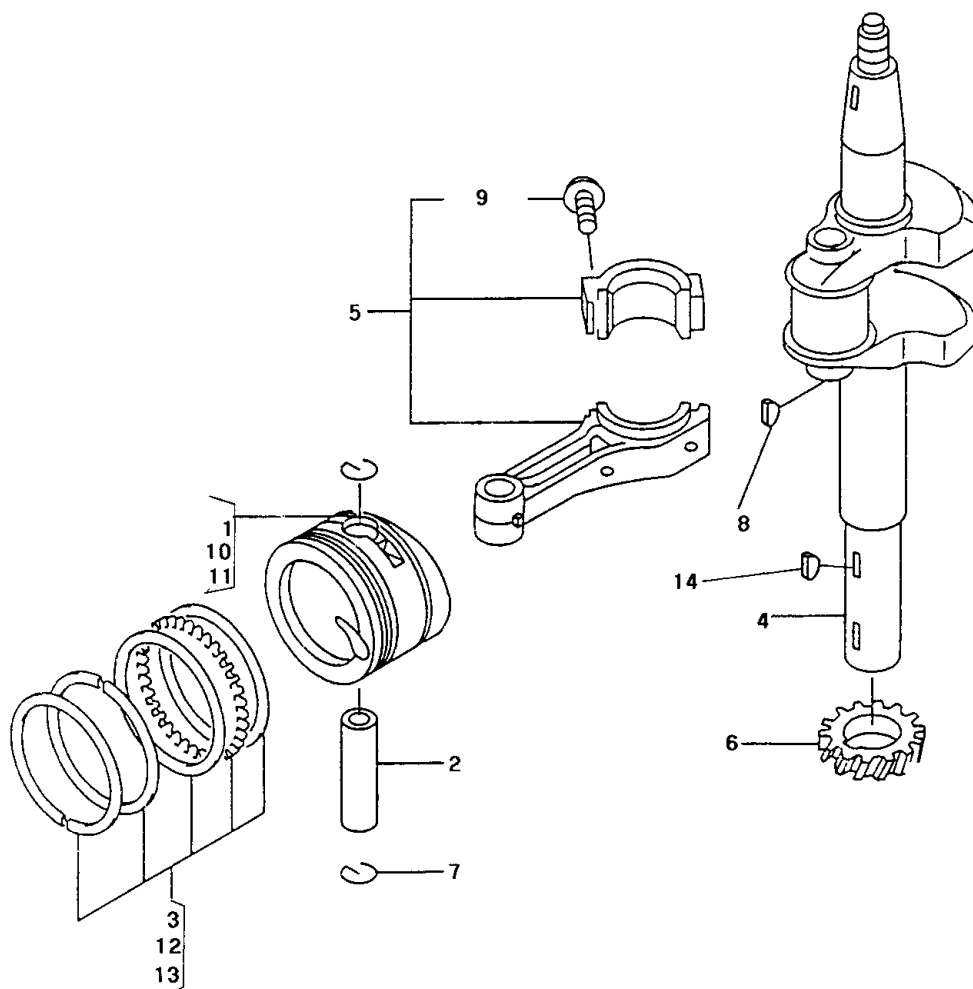
Number	Part Number	Name	Quantity
1	23925	COLLECT.LOWER PU46E	1,000
2	23926	COLLECT.UPPER PU46E	1,000
3	23927	GREEN DUST GARD	1,000
4	23904	COLLECTOR HANDLE 46	1,000
5	24991	-> 2X 24903	1,000
6	71164	STARLOCK TRIM	1,000
7	7335	WASHER	1,000
8	7094	FLAT WASHER	1,000
9	23253	FAN HOUSING NG46	1,000
10	21204	RIVET TP 4X7,9	1,000
11	24906	FOAM PADDING	1,000
12	23928	INDICATOR FILLING G	1,000

KAWASAKI OHV FC 150 V



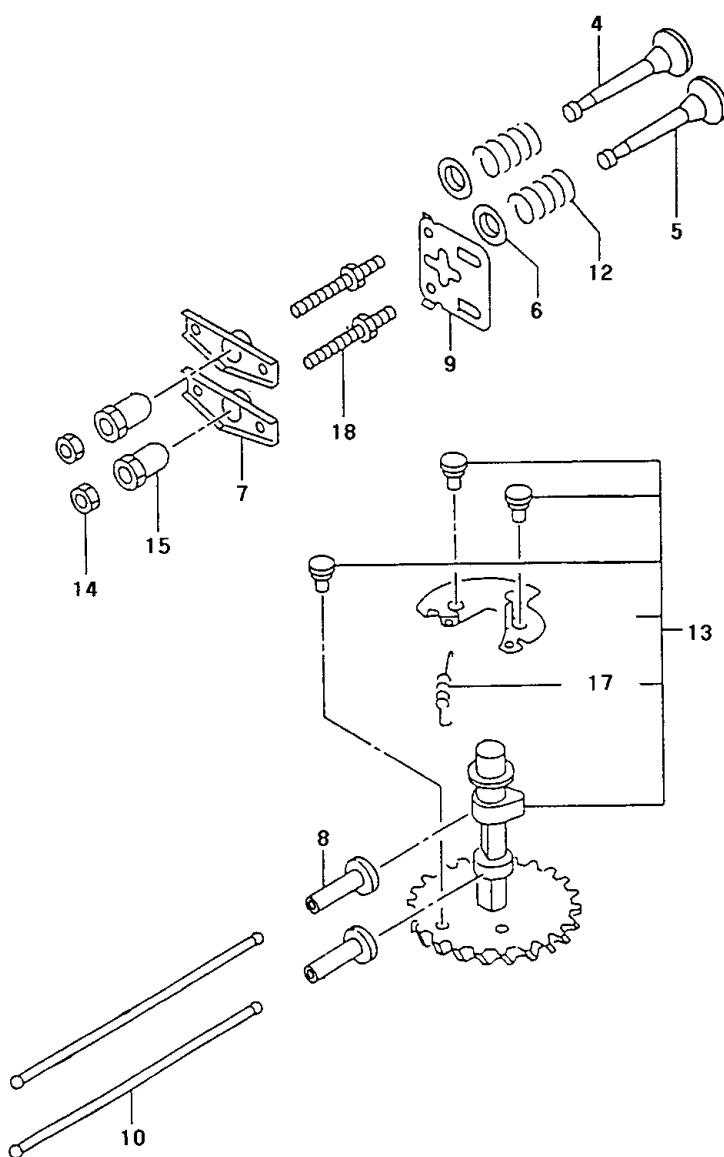
Number	Part Number	Name	Quantity
1	17701	CYLIND. HEAD GASKET	1,000
2	17702	CYLINDER HEAD	1,000
4	17704	GASKET	1,000
5	17705	CYLINDER HEAD COVER	1,000
6	17706	GASKET	1,000
7	17707	GASKET	1,000
8	17708	SHAFT	1,000
9	17709	PLATE	1,000
10	17710	PLATE	1,000
11	17711	COVER	1,000
12	17712	VALVE	1,000
13	17713	VALVE	1,000
14	17714	COVER CRANKCASE	1,000
15	17715	OIL TURBINE	1,000
16	17716	CRANKASE	1,000
17	17717	CENTRING BUSH	1,000
19	15819	SCREW	1,000
20	17720	COLLAR	1,000
21	17721	HOSE	1,000
24	17724	PLUG	1,000
25	17725	SCREW	1,000
26	17726	SCREW	1,000
27	17727	SCREW	1,000
29	17729	SCREW	1,000
30	17730	SCREW	1,000
31	17731	BEARING	1,000
32	15332	ASSEMBLY BUSH	1,000
33	15367	O-RING	1,000
34	17519	WASHER 5X16X0,8	1,000
35	17520	WASHER 6X12X1,6	1,000
40	24827	THREADED PIN M10/M8	1,000
41	22065	WASHER 25X8,5X3	1,000
42	71074	NUT HM8	1,000
45	24856	KAWA ENGINE FC150V	1,000

KAWASAKI OHV FC 150 V



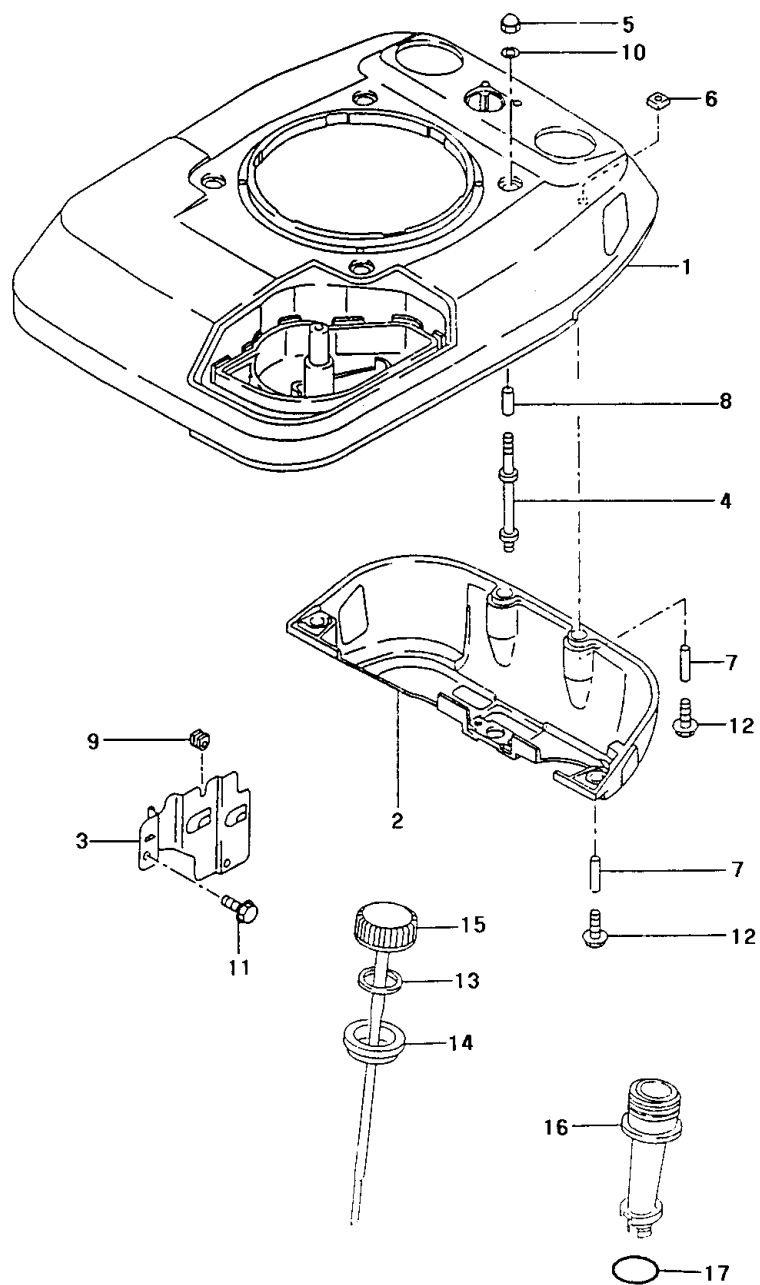
Number	Part Number	Name	Quantity
1	17741	PISTON	1,000
2	17742	PIN PISTON	1,000
3	17743	RING SET	1,000
4	17744	CRANKSHAFT	1,000
5	17745	ROD-ASSY-CONNECTING	1,000
6	17746	HELICAL GEAR	1,000
7	17747	RING SHAP	1,000
8	17748	KEY	1,000
9	17749	SCREW	1,000
10	17752	PISTON + 0,25	1,000
11	17753	PISTON + 0,50	1,000
12	17750	RING SET 0,25	1,000
13	17751	RING SET 0,50	1,000
14	7337	KEY	1,000

KAWASAKI OHV FC 150 V



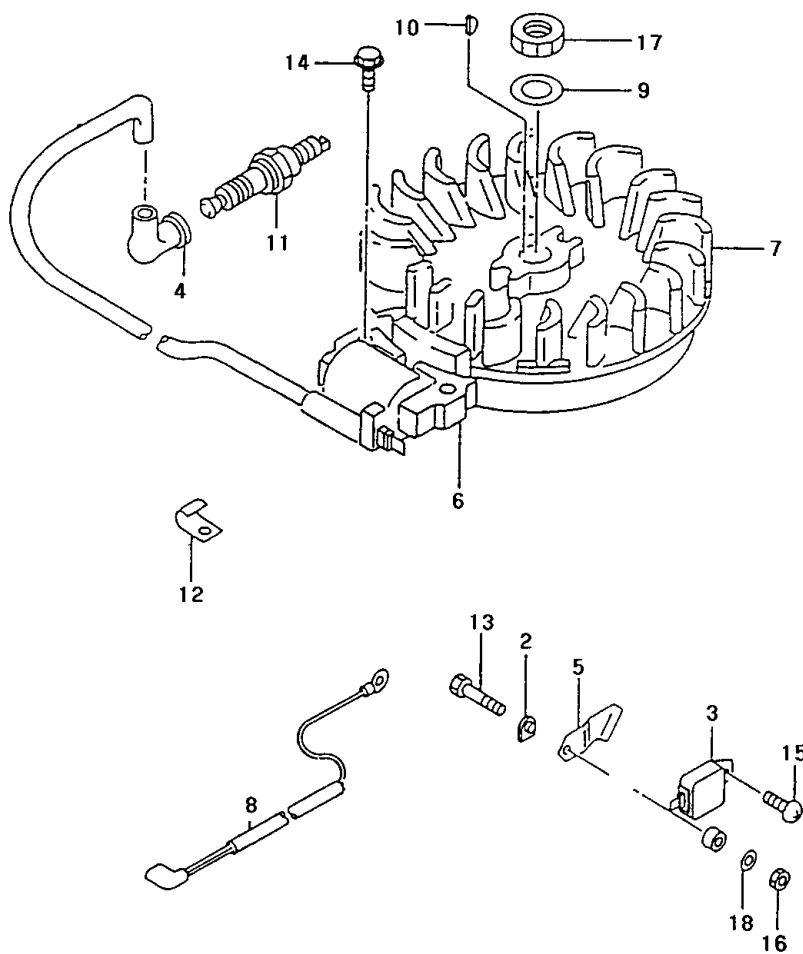
Number	Part Number	Name	Quantity
4	17754	INTAKE VALVE	1,000
5	17755	EXHAUST VALVE	1,000
6	17756	THRUST WASHER	1,000
7	17757	ROCKER ARM	1,000
8	17758	TAPET	1,000
9	17759	GUIDE	1,000
10	17760	PUSH ROD	1,000
12	17762	VALVE SPRING	1,000
13	17763	CAMSHAFT	1,000
14	17764	NUT	1,000
15	17765	GUIDE NUT	1,000
17	17767	SPRING	1,000
18	17768	BOLT	1,000

KAWASAKI OHV FC 150 V



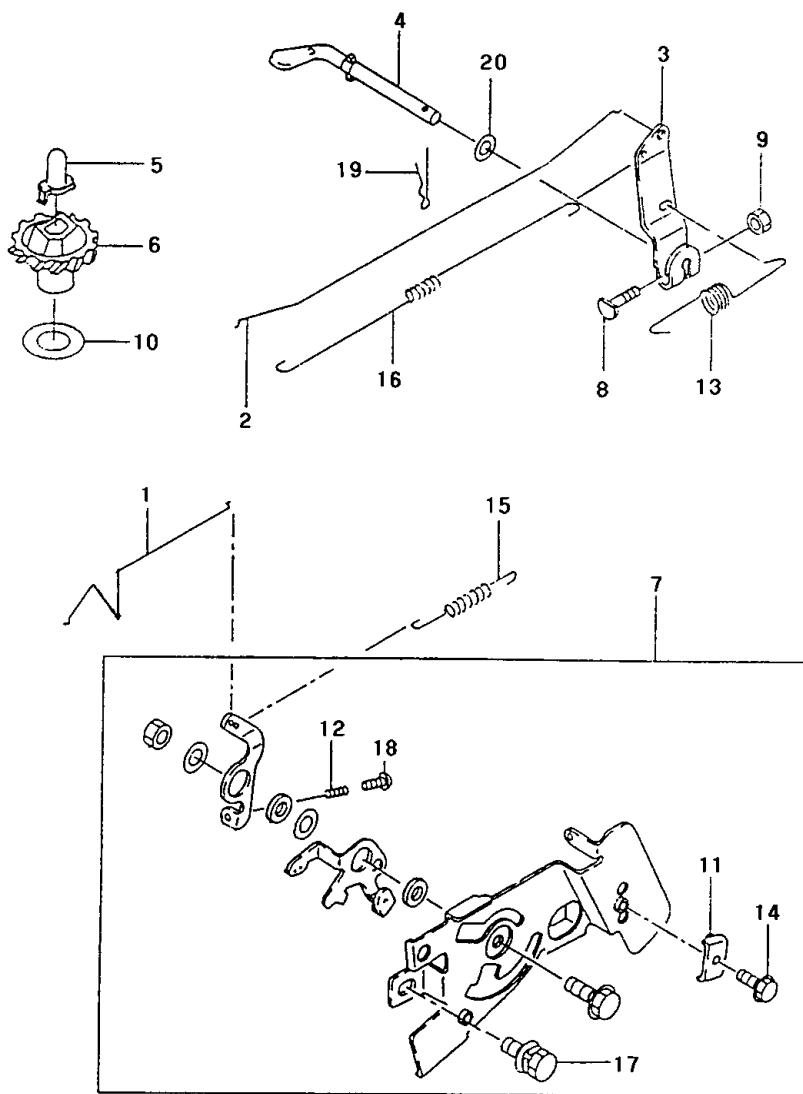
Number	Part Number	Name	Quantity
1	17771	UPPER COVER	1,000
2	17772	LOWER COVER	1,000
3	17773	MASK	1,000
4	17774	PIN	1,000
5	17775	CAP NUT	1,000
6	17776	SQUARED NUT	1,000
7	17777	SPACER 6,2X7,8X17	1,000
8	17778	SPACER 6,2X7,8X22	1,000
9	15439	RUBBER CLIP	1,000
10	71096	WASHER B6,4	1,000
11	17725	SCREW	1,000
12	17727	SCREW	1,000
13	15682	GASKET	1,000
14	17784	GUIDE	1,000
15	17785	OIL GAUGE	1,000
16	17786	FILLER	1,000
17	15686	O-RING	1,000

KAWASAKI OHV FC 150 V



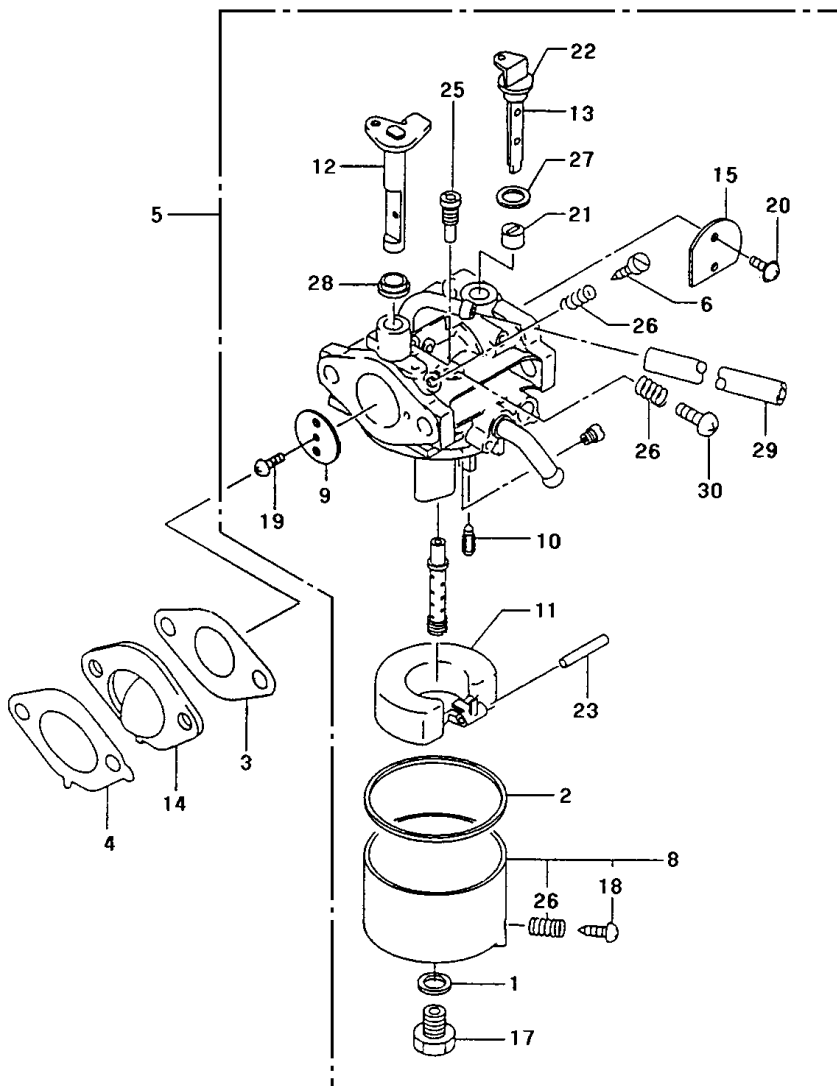
Number	Part Number	Name	Quantity
2	17789	ISOLATOR	1,000
3	17790	IGNITER	1,000
4	15722	SPARK PLUG CAP	1,000
5	17791	SOCKET	1,000
6	18060	IGNITION COIL	1,000
7	17793	FLYWHEEL	1,000
8	17899	17899	1,000
9	17795	WASHER	1,000
10	17796	KEY	1,000
11	3861	SPARK PLUG D.14X19R	1,000
12	17797	CUP	1,000
13	71025	SCREW HM5X18	1,000
14	17727	SCREW	1,000
15	17799	SCREW	1,000
16	71200	SCREW M5	1,000
17	17798	FLYWHEEL NUT	1,000
18	17637	WASHER PLAIN	1,000

KAWASAKI OHV FC 150 V



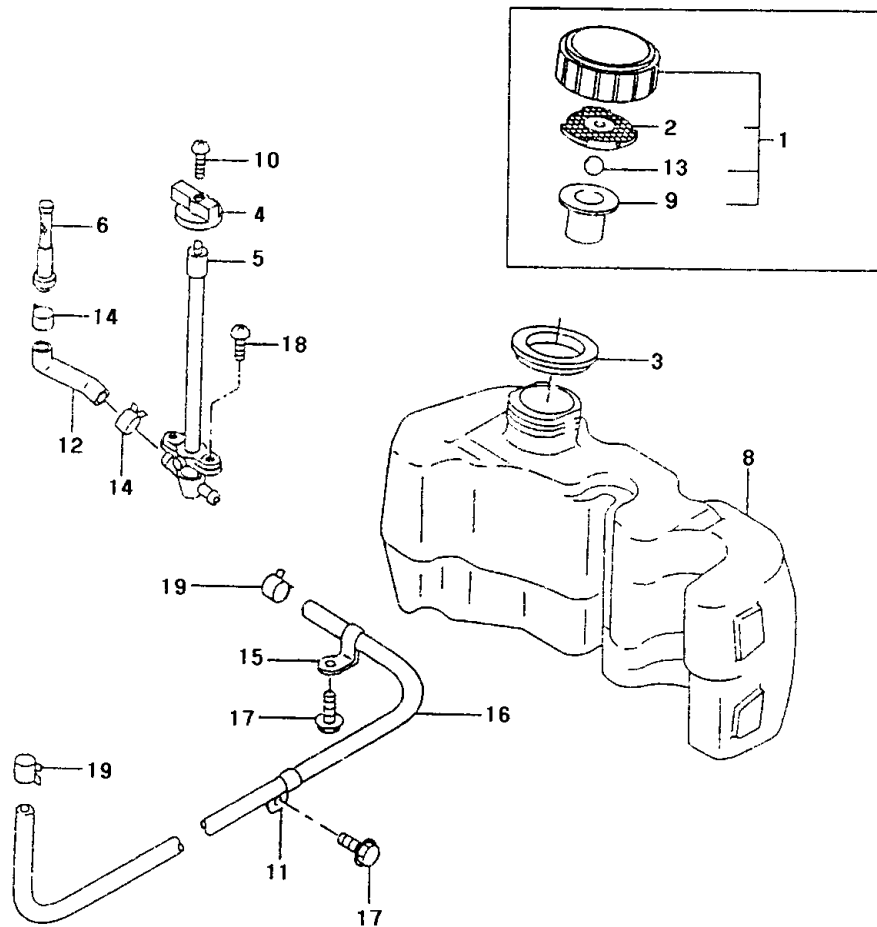
Number	Part Number	Name	Quantity
1	17801	STARTER ROD	1,000
2	17802	LINK GOVERNOR	1,000
3	17803	ARM ASSY	1,000
4	17804	ARM-PIVOT	1,000
5	15356	GOVERNOR BEARING	1,000
6	17806	GOVERNOR ASSY	1,000
7	17807	PANEL-COMP-CONTROL	1,000
8	15744	BOLT	1,000
9	15646	NUT	1,000
10	15630	STUD	1,000
11	17808	CUP	1,000
12	15346	SPRING	1,000
13	17809	SPRING	1,000
14	15753	SCREW	1,000
15	17810	SPRING	1,000
16	17585	SPRING	1,000
17	17811	SCREW	1,000
18	17812	ADJUST SCREW	1,000
19	15358	COTTER PIN	1,000
20	17587	WASHER	1,000

KAWASAKI OHV FC 150 V



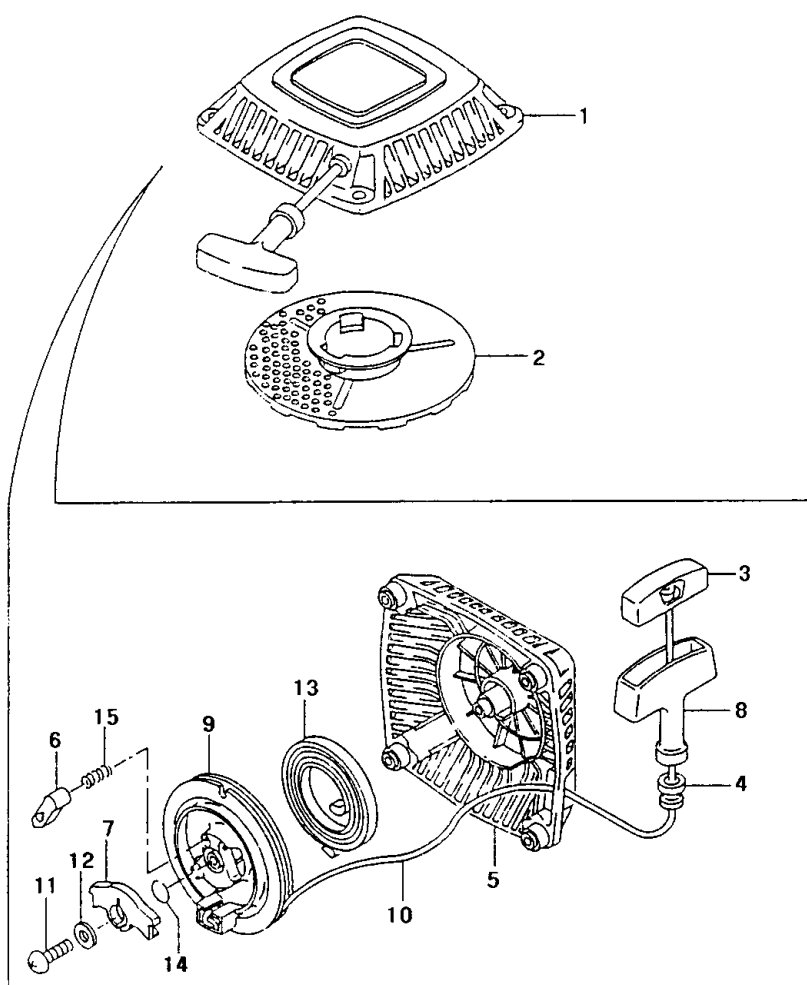
Number	Part Number	Name	Quantity
1	17815	GASKET	1,000
2	17816	GASKET	1,000
3	17817	CARBURETOR GASKET	1,000
4	17818	ISOLATOR GASKET	1,000
5	17820	CARBURETOR ASSY	1,000
6	17821	ADJUST SCREW	1,000
8	17822	FLOAT	1,000
9	17823	VALVE THROTTLE 110	1,000
10	17824	FLOAT-SPINDLE	1,000
12	17826	CARB.THROTTLE SHAFT	1,000
13	17827	CARBUR.CHOKE SHAFT	1,000
14	17828	ISOLATOR	1,000
15	17829	CHOKE VALVE	1,000
16	17830	MAIN NOZZLE	1,000
17	17831	FLOAT CHAMBER SCREW	1,000
18	15784	BLEED SCREW	1,000
19	15793	SCREW	1,000
20	17834	SCREW	1,000
21	15776	RING	1,000
22	17836	SEALING RING	1,000
23	15781	FLOAT SHAFT	1,000
25	17839	JET 38,8	1,000
26	15783	SPRING	1,000
27	17841	GASKET	1,000
28	17842	GASKET	1,000
29	17843	TUBE 5 X 8 X 125	1,000
30	17619	SCREW	1,000

KAWASAKI OHV FC 150 V



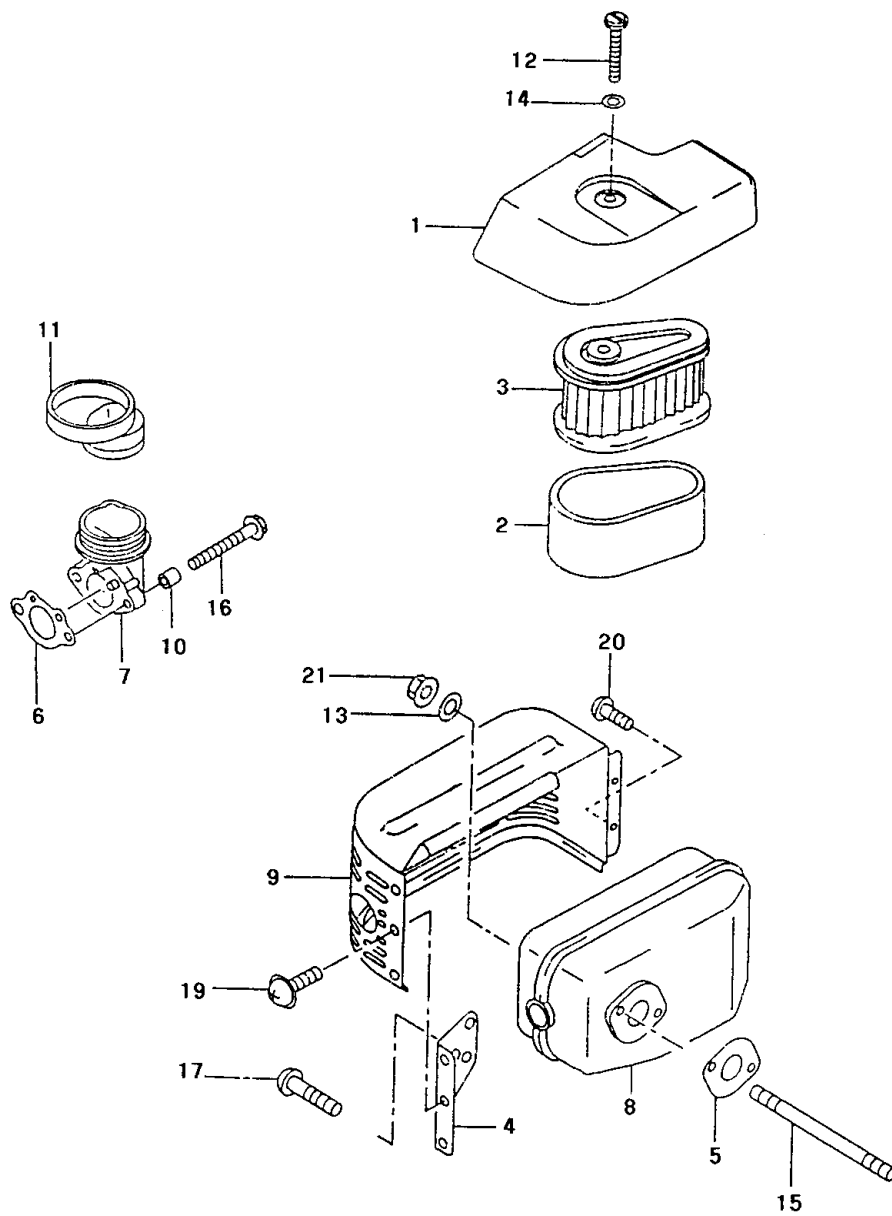
Number	Part Number	Name	Quantity
1	17866	TANK CAP	1,000
2	17867	GASKET	1,000
3	17868	GUIDE	1,000
4	17869	BUTTON	1,000
5	17870	TAP COMPLETE	1,000
6	17871	FILTER	1,000
8	17873	FUEL TANK	1,000
9	17874	SNIFTING VALVE	1,000
10	71051	BOLT EJ.PT KA40X14	1,000
11	17875	CUP	1,000
12	17876	PIPE	1,000
13	17877	BALL	1,000
14	17878	CLAMP	1,000
15	17879	CUP	1,000
16	17880	PIPE	1,000
17	17726	SCREW	1,000
18	15442	SCREW	1,000
19	15843	CLAMP	1,000

KAWASAKI OHV FC 150 V



Number	Part Number	Name	Quantity
1	17881	STARTER CPLT	1,000
2	-	-	1,000
3	17883	INSERT	1,000
4	17884	ROPE - GUIDE	1,000
5	17885	STARTER COVER	1,000
6	17886	PAWL	1,000
7	17887	SPRING SUPPORT	1,000
8	17888	HANDLE	1,000
9	17889	PULLEY	1,000
10	7842	ROPE 3 X 2150 MM	1,000
11	17891	SCREW 5 X 18	1,000
12	17892	WASHER 5X12,8X1,2	1,000
13	17893	BACK SPRING	1,000
14	17894	CIRCLIP	1,000
15	17895	SPRING	1,000

KAWASAKI OHV FC 150 V



Number	Part Number	Name	Quantity
1	17846	FILTER COVER	1,000
2	17847	PRE FILTER	1,000
3	17848	AIR FILTER CARTRIDG	1,000
4	17849	STRAP	1,000
5	17850	GASKET	1,000
6	17851	GASKET	1,000
7	17852	INTAKE PIPE	1,000
8	17853	MUFFLER FRONT EXIT	1,000
9	17854	MUFFLER COVER FRONT	1,000
10	17855	SPACER 6,2X7,8X8	1,000
11	17856	TUBE	1,000
12	17857	SCREW	1,000
13	17858	WASHER 7X21X2,3	1,000
14	71096	WASHER B6,4	1,000
15	17860	PIN	1,000
16	17861	SCREW	1,000
17	17862	SCREW	1,000
19	15819	SCREW	1,000
20	15604	SCREW	1,000
21	15646	NUT	1,000